

# DATA SHEET



CRUSHER

# K-JC 604



600 mm x 400 mm  
(23" x 16")



Up to 50 tph  
55 US tph



20 mm to 80 mm  
3/4" to 3-1/4"



Stage V 41 kW  
55 Hp Diesel

Tier 4F 41 kW  
55 Hp Diesel

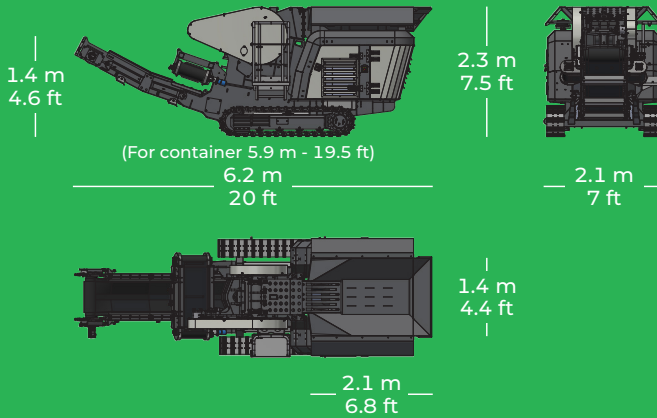
Stage 3A 41 kW  
55 Hp Diesel



8.800 kg  
19.400lb

[KOMPLETAMERICA.COM](http://KOMPLETAMERICA.COM)

## WORKING AND TRANSPORT



Recycling on site demolition and construction waste is a cost-efficient method of avoiding large landfill costs, onsite recycling and reducing demolition rubble to a useable product. The K-JC 604, a 600x400mm jaw crusher fitted with an integrated vibrating feeder, the material to be processed is moved in a fast, constant linear action into the jaw. The CSS is adjusted hydraulically by remote control.

The remote-control system means safe operation of the crusher on the safety of an excavator or loading shovel cab.

## FEATURES AND BENEFITS

- Vibrating grizzly feeder with variable speed & integrated hopper
- Full hydraulic crusher setting
- Remote control
- Access to the engine with a large hinged door
- Reverse the crusher rotation to clear blockages
- Fines by pass crusher directly onto discharge belt
- The jaws are 'reversible' meaning that they have 2 lives
- Simple and easy to operate
- One-person operation



Komplet America

749 Clawson Ave. Hillsborough, NJ 08844

✉ [info@kompletamerica.com](mailto:info@kompletamerica.com)

☎ 908-369-3340